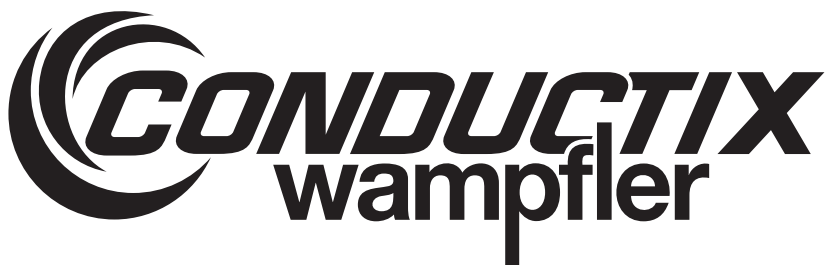
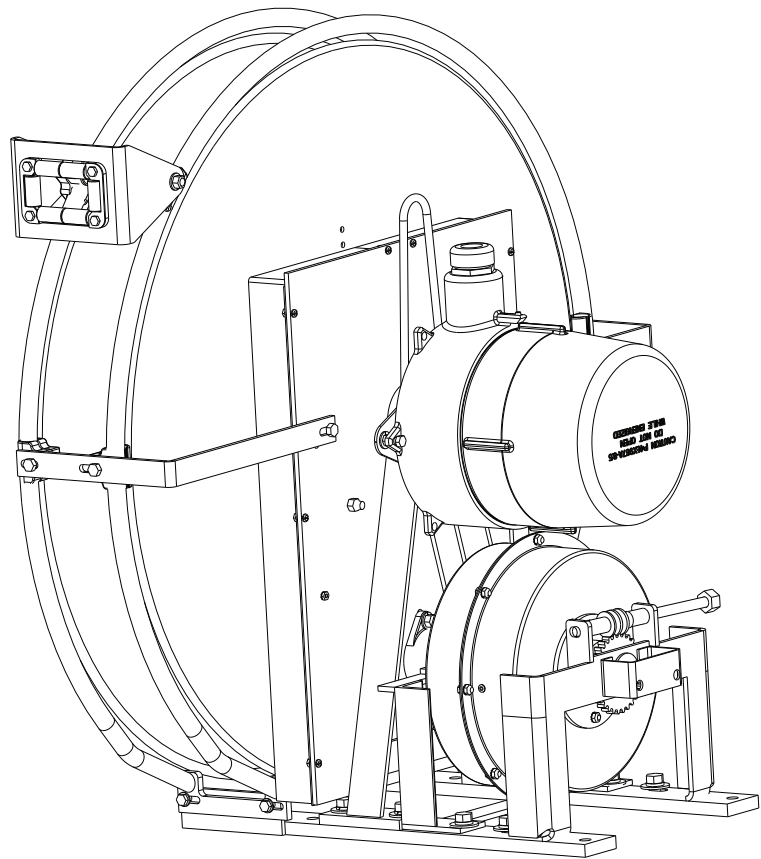


Spring Cable Reel Manual

3500 Series Power Reel™



CONDUCTIX INCORPORATED

The technical data and images which appear in this manual are for informational purposes only. **NO WARRANTIES, EXPRESS OR IMPLIED, INCLUDING WARRANTIES OF MERCHANTABILITY OR FITNESS FOR A PARTICULAR PURPOSE, ARE CREATED BY THE DESCRIPTIONS AND DEPICTIONS OF THE PRODUCTS SHOWN IN THIS MANUAL.** Conductix-Wampfler makes no warranty (and assumes no liability) as to function of equipment or operation of systems built according to customer design or of the ability of any of its products to interface, operate or function with any portions of customer systems not provided by Conductix-Wampfler.

Seller agrees to repair or exchange the goods sold hereunder necessitated by reason of defective workmanship and material discovered and reported to Seller within one year after shipment of such goods to Buyer.

Except where the nature of the defect is such that it is appropriate, in Seller's judgment, to effect repairs on site, Seller's obligation hereunder to remedy defects shall be limited to repairing or replacing (at Seller's option) FOB point of original shipment by Seller, any part returned to Seller at the risk and cost of Buyer. Defective parts replaced by Seller shall become the property of Seller.

Seller shall only be obligated to make such repair or replacement if the goods have been used by Buyer only in service recommended by Seller and altered only as authorized by Seller. Seller is not responsible for defects which arise from improper installation, neglect, or improper use or from normal wear and tear.

Additionally, Seller's obligation shall be limited by the manufacturer's warranty (and is not further warranted by Seller) for all parts procured from others according to published data, specifications or performance information not designed by or for Seller.

Seller further agrees to replace or at Seller's option to provide a refund of the sales price of any goods that do not conform to applicable specifications or which differ from that agreed to be supplied which non-conformity is discovered and forthwith reported to Seller within thirty (30) days after shipment to the Buyer. Seller's obligation to replace or refund the purchase price for non-conforming goods shall arise once Buyer returns such goods FOB point of original shipment by Seller at the risk and cost of Buyer. Goods replaced by Seller shall become the property of Seller.

There is no guarantee or warranty as to anything made or sold by Seller, or any services performed, except as to title and freedom from encumbrances and, except as herein expressly stated and particularly, and without limiting the foregoing, **there is no guarantee or warranty, express or implied, of merchantability or of fitness for any particular purpose or against claim of infringement or the like.**

Seller makes no warranty (and assumes no liability) as to function of equipment or operation of systems built to Buyer's design or of the ability of any goods to interface, operate or function with any portions of Buyer's system not provided by Seller.

Seller's liability on any claim, whether in contract, tort (including negligence), or otherwise, for any loss or damage arising out of, connected with, or resulting from the manufacture, sale, delivery, resale, repair, replacement or use of any products or services shall in no case exceed the price paid for the product or services or any part thereof which give rise to the claim. In no event shall Seller be liable for consequential, special, incidental or other damages, nor shall Seller be liable in respect of personal injury or damage to property not the subject matter hereof unless attributable to gross misconduct of Seller, which shall mean an act or omission by Seller demonstrating reckless disregard of the foreseeable consequences thereof.

Seller is not responsible for incorrect choice of models or where products are used in excess of their rated and recommended capacities and design functions or under abnormal conditions. Seller assumes no liability for loss of time, damage or injuries to property or persons resulting from the use of Seller's products. Buyer shall hold Seller harmless from all liability, claims, suits, and expenses in connection with loss or damage resulting from operation of products or utilization of services, respectively, of Seller and shall defend any suit or action which might arise there from in Buyer's name - provided that Seller shall have the right to elect to defend any such suit or action for the account of Buyer. The foregoing shall be the exclusive remedies of the Buyer and all persons and entities claiming through the Buyer.

TABLE OF CONTENTS

SECTION 1 - SAFETY	6
Safety Information Responsibility	6
Safety Messages	6
Electrical Warnings	7
Operational Warnings	7
Maintenance Warnings	7
Specifications & Listings	7
Electrical Rating	7
Labels & Marking	8
SECTION 2 - OVERVIEW	9
SECTION 3 - INSTALLATION	10
Application Types	10
Stretch Applications	10
Lift Applications	10
Drag Applications	10
Retrieve Applications	10
Mounting	10
Standard Mounting	10
Pivot Base Mounting	11
Guide Rails	11
Roller Guides	11
Ratchet (Optional)	12
Ratchet Option Installation	12
Ratchet Pawl Installation	12
Ratchet Plate Installation	12
Spool Lock (Optional)	13
Electrical Connections	13
Electrical Warnings	13
Supply Cable Connections	13
Spring Tension Adjustment	14
Spring Tension Warnings	14
Spring Cycling	14
Spring Pre-Tensioning	14
Adjusting Spring Tension	14
SECTION 4 - OPERATION	15

TABLE OF CONTENTS

SECTION 5 - MAINTENANCE	16
Maintenance Warnings	16
Lubrication	16
Inspections	16
Spring Motor Replacement	16
SECTION 6 - REPLACEMENT PARTS	18
R-Series Slip Rings for 3500 Series Power Reels	18
Spring Reel Descriptive Numbering System for 3500 Series Power Reels	19
Exploded View Parts Identification for 3500 Series Power Reels	20
Part Numbers by Component for 3500 Series Power Reels	21

CONDUCTIX-WAMPFLER FIELD SERVICE

Need Field Service for our products? We Can Handle It!

Ask us for a quote on expert system installations, inspections, preventative maintenance, and repairs/retrofits.

As the world's largest single source manufacturer of mobile electrification products, Conductix-Wampfler has the unique ability to offer a degree of service not found anywhere else. Conductix-Wampfler's team of highly qualified service technicians and engineers have years of experience servicing our complete line of products.

We can provide:

- **Annual service contracts**
- **Installation**
- **Commissioning**
- **Installation supervision** to ensure your installers avoid common mistakes.
- **Troubleshooting** to get you up and running.
- **Pre-planned inspections** to complement your preventive maintenance program.

Call 1.800.521.4888 for further details.



SECTION 1 - SAFETY

Safety Information Responsibility

All owner, operator, and maintenance personnel must read and understand all manuals associated with this product before installation, operation, or maintenance.

The manual provides information on the recommended installation, operation, and maintenance of this product. Failure to read and follow the information provided could cause harm to yourself or others and/or cause product damage. No one should install, operate, or attempt maintenance of this product prior to familiarizing themselves with the information in this manual.

Safety Messages

The following safety messages are used in this manual to alert you to specific and important safety related information.

CAUTION

- CAUTION indicates unsafe actions or situations that have the potential to cause injury, and/or minor equipment or property damage.

DANGER

- DANGER indicates hazards that have the potential to cause severe personal injury or death.

WARNING

- WARNING indicates unsafe actions or situations that have the potential to cause severe injury, death, and/or major equipment or property damage.

NOTE

- NOTE is used to alert you to installation, operation, programming, or maintenance information that is important, but not hazard related.

SECTION 1 - SAFETY

Electrical Warnings

Properly ground equipment before use in accordance with both the National Electric Code and local electrical codes and ordinances.

Disconnect electrical power from the cable reel before any service functions are performed.

Do not use this cable reel for loads greater than the current rating listed on the label and voltage greater than the slip ring rating. The ampacity (current) rating of the cable must be in accordance with the National Electric Code.

Electrical wiring on the reel must be done by a qualified electrician.

Operational Warnings

Exercise care when handling the cable reel during normal operation. This cable reel has a rotating spool powered by springs under tension.

Do not disassemble the spring motor for any reason. Serious personal injury could result. This cable reel is equipped with springs under tension. Contact the factory for assistance:

Maintenance Warnings

Do not use cable different from that for which the reel is intended. Changes in diameter, weight per foot, length of cable or flexibility will affect the operation of the reel.

Mounting hardware and fasteners should be installed to maintain tightness under vibration and checked periodically to assure tightness.

Overhead installation mountings should be such that the reel is not suspended by bolts in tension. A safety chain or cable is strongly recommended to minimize damage and/or possible injury in the event of mounting failure.

WARNING: Modification of this equipment may cause excessive wear and will void the warranty. Contact the manufacturer regarding changes or modifications of equipment which could affect reliability or safety.

Specifications & Listings

3500 Series Cable Reels are intended for commercial / industrial use and are provided with a permanent mounting base.

3500 Series Cable Reels are built to NEMA 4 & NEMA 9 Specifications and are suitable for indoor/outdoor use.

Spring Motors for the 3500 Series are sealed for safety and weather-tight for long life.

Current capacity of the 3500 Series Reels range from 10 to 150 Amps at 600 Volts maximum. Reels are available in 3 to 36 conductor configurations.

3500 Series Cable Reels are available with optional features which increase serviceability. Options include: ratchet, pivot base, & spool lock.

Custom power and signal circuit slip rings using silver plated rings and silver graphite brushes are available upon request.

Electrical Rating

All 3500 Series Power Reels are equipped with cable. These reels equipped with flexible cables should not be used at voltages and/or amperages above the rating of either reel or cable.

SECTION 1 - SAFETY

Labels & Marking

Every cable reel is marked with a label on the frame which includes the Conductix-Wampfler name and logo, the product catalog number and the individual product serial number.

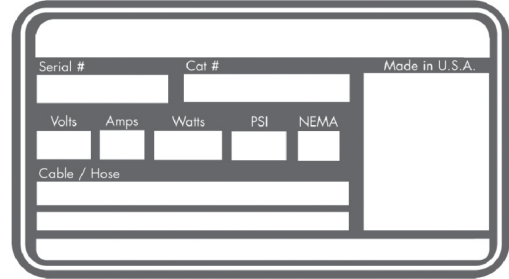
3500 Series Power Reels comply with NEC requirements, but are not third party listed or certified by any regulatory or third party body:

- Class I, Division 1, Groups C & D (flammable gases or vapors)
- Class II, Division 1, Groups E, F, & G (combustible dust)
- Class III, Division 1 (easily-ignitable fibers or flyings)

Conform to NEMA 9 and NEMA 4 (IP56) Standards for applications in wet and dry locations.

The maximum amperage and voltage rating for the cable reel is on the Conductix-Wampfler Identification label. Actual rating is determined by the installed cable, wire size and number of conductors, and is not to exceed the indicated maximum rating of the slip ring.

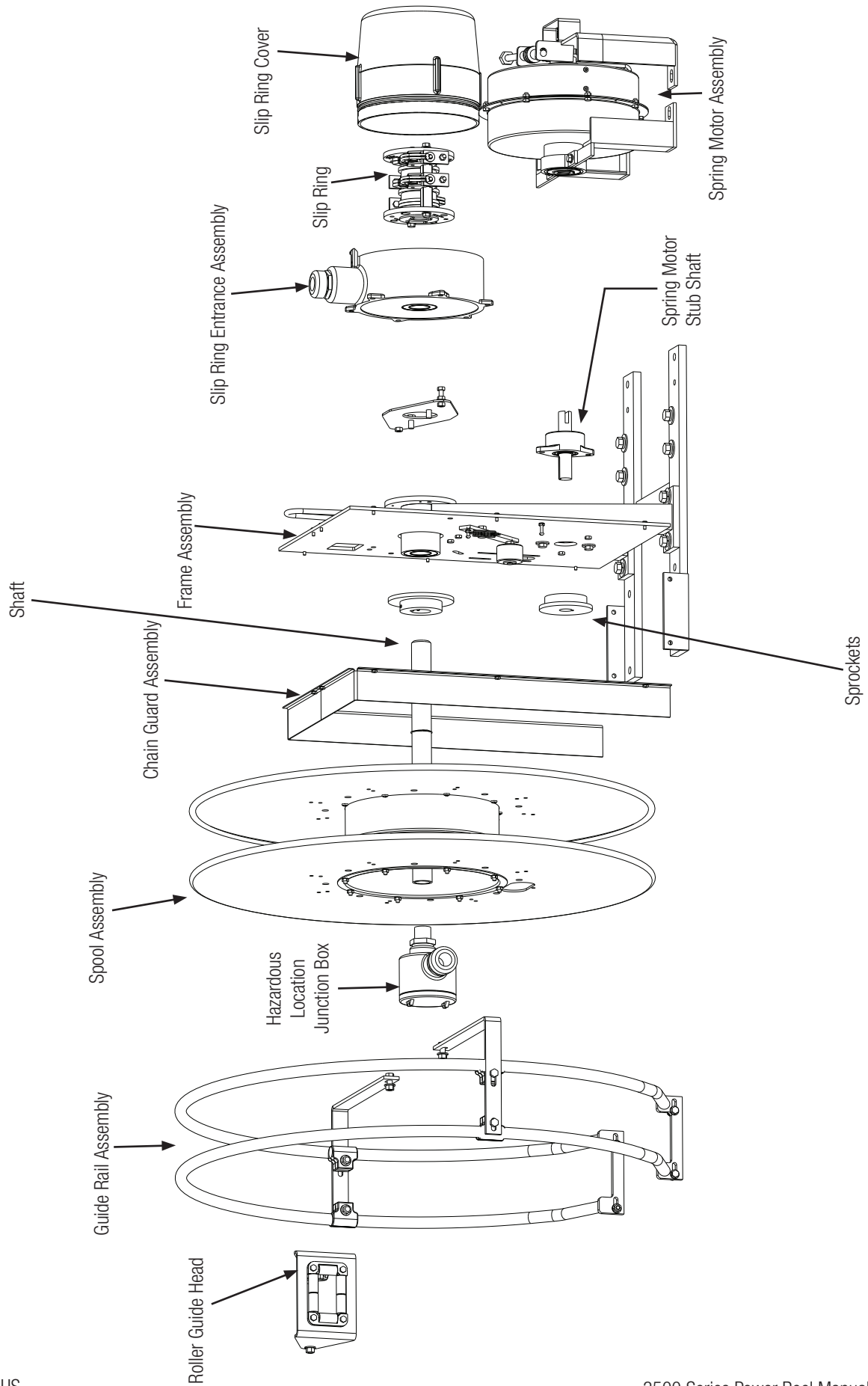
The cable reel is designed to handle cable with a temperature rating of up to 90° C, which is marked on the cable.



Type W (90°C)		Type G-GC(90°C)		Type SOW-A, S00W-A (90° C)				Color Code Chart		
Cable	Ampacity	Cable	Ampacity	Cable	Ampacity	Cable	Ampacity	Cond. No.	Base Color	Tracer Color
W 8/2	50	8/3 G-GC	50	16/2	10	12/2	20	1	Green	-
W 8/3	50	6/3 G-GC	65	16/3	10	12/3	20	2	Black	-
W 8/4	45	4/3 G-GC	85	16/4	8	12/4	16	3	White	-
		2/3 G-GC	115	16/5	8	12/5	16	4	Red	-
W 6/2	65			16/6	8	12/6	16	5	Orange	-
W 6/3	65			16/7	7	12/7	14	6	Blue	-
W 6/4	55			16/8	7	12/8	14	7	White	Black
				16/10	7	12/10	14	8	Red	Black
W 4/2	75			16/12	7	12/12	14	9	Green	Black
W 4/3	75			16/14	7	12/14	14	10	Orange	Black
W 4/4	65			16/16	7	12/16	14	11	Blue	Black
				16/20	7	12/20	14	12	Black	White
W 2/2	110			16/24	6	12/24	14	13	Red	White
W 2/3	110			16/30	6	12/30	12	14	Green	White
W 2/4	100			16/36	6	10/2	25	15	Blue	White
				14/2	15	10/3	25	16	Black	Red
				14/3	15	10/4	20	17	White	Red
				14/4	12	10/5	20	18	Orange	Red
				14/5	12	10/6	20	19	Blue	Red
				14/6	12	10/7	17.5	20	Red	Green
				14/7	10.5	10/8	17.5	21	Orange	Green
				14/8	10.5	10/10	17.5	22	Black	-
				14/10	10.5	10/12	17.5	23	White	-
				14/12	10.5	10/14	17.5	24	Red	-
				14/14	10.5	10/16	17.5	25	Green	-
				14/16	10.5	-	-	26	Orange	-
				14/20	10.5	-	-	27	Blue	-
				14/24	10.5	-	-	28	White	Black
				14/30	9	-	-	29	Red	Black
				14/36	6	-	-	30	Green	Black
								31	Orange	Black
								32	Blue	Black
								33	Black	White
								34	Red	White
								35	Green	White
								36	Blue	White

Table 8-1 Allowable Ampacities for Flexible Cord & Cable

SECTION 2 - OVERVIEW



SECTION 3 - INSTALLATION

Application Types

Stretch Applications

The cable is suspended without any intermediate support. Stretch reels generally require a line pull equal to two times the weight of the cable, which allows approximately 10% sag at full extension. On long applications where sag cannot be tolerated, it is sometimes desirable to put supports at intervals of 5 to 10 feet. See **Figure 10-1**.

Lift Applications

The cable is lifted vertically in lift applications. The reel is normally designed to handle only the total weight of the cable. Some lift applications may require a ball stop and ratchet to control the length of cable to be retracted. See **Figure 10-2**.

Drag Applications

The reel is mounted on a stationary object and is required to drag the cable over the surface to the reel. The cable is supported by the ground or some type of cable tray. A ball stop may be required. All 1200 Series reels sold with cable have a ball stop installed on the reel. See **Figure 10-3**.

Retrieve Applications

The reel is mounted on the moving object and winds up or pays out the cable as the machine approaches or moves away from the fixed end. See **Figure 10-4**.

Mounting

Standard Mounting

1. Mount the base of the reel to any flat surface which is structurally sound enough to support the reel and the forces of winding and unwinding the cable.
2. The spool drum must be mounted horizontally axis.
3. The cable should extend perpendicular to the rotation of the spool. The cable deflection should not exceed 15° to either side of the centerline of the spool. See **Figure 10-5**.
4. If deflection is constant to either side of the reel and operation is impaired, re-mount the reel.
5. If the total angle of deflection exceeds 30° , a Pivot Base or two way payout guide should be used, otherwise excessive cable wear and unreliable operation will result. See **Figure 10-5**.
6. A safety chain is recommended for all overhead installations. Attach the safety chain around the mounting base.

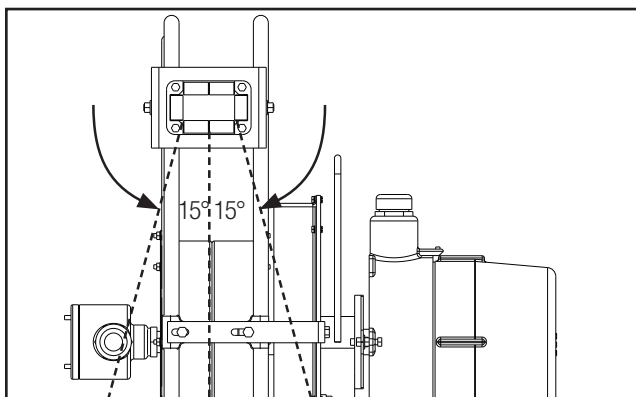


Figure 10-5 Cable Deflection with Roller Guide

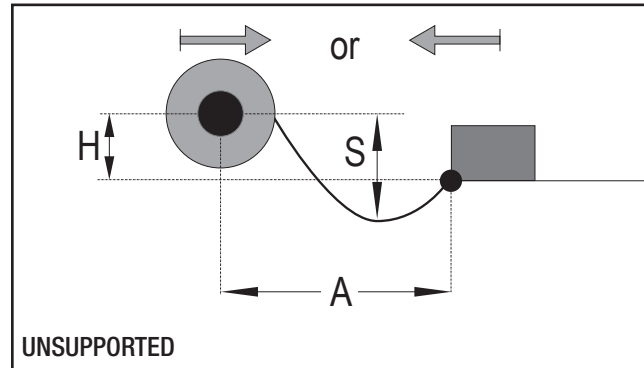


Figure 10-1 Stretch Application

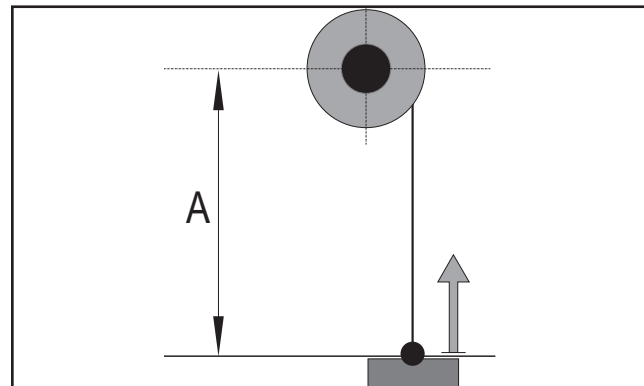


Figure 10-2 Lift Application

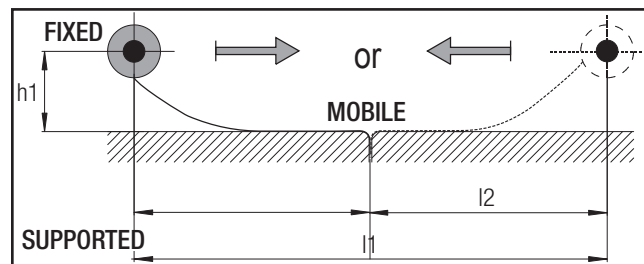


Figure 10-3 Drag Application

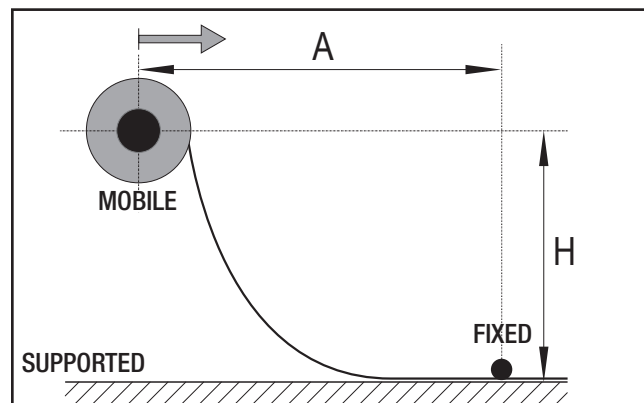


Figure 10-4 Retrieve Application

SECTION 3 - INSTALLATION

Pivot Base Mounting

All 3500 Series Cable Reels can be furnished with a pivot base to allow the reel to rotate and keep the extended cable perpendicular to the application. See **Figure 11-1**.

Pivot Bases rotate up to 330°. If 360° rotation is required contact the factory.

A pivot base is required in carousel or loop-track applications.

When a pivot base is used the reel must be mounted horizontally (“ceiling” or “floor” mounted).

The Roller Guide should be mounted to require the cable to travel perpendicular to the axis of pivot base rotation. This will guard against cable twisting and ensure effective swivel action from the pivot base.

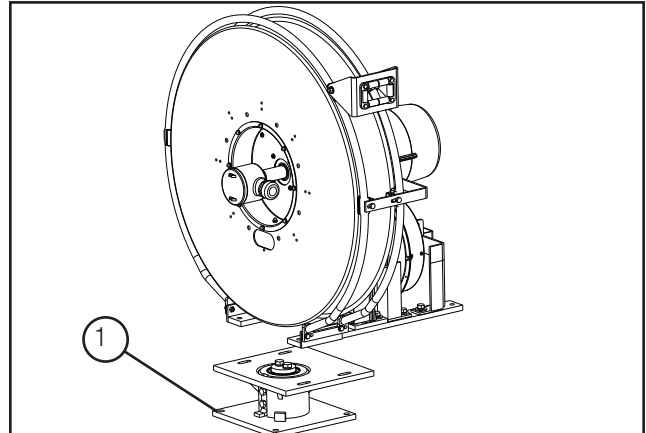


Figure 11-1 1. P3-3200X

Guide Rails

Guide Rails provide a barrier between the cable and the rotating spool flange rim. They also act as a safety barrier for installations where human contact with the rotating spool flange is likely to occur. See **Figure 11-2**.

Guide Rails provide additional assurance that the cable will wrap efficiently on the spool for applications involving rigorous motion.

Guide Rails can act as a substitute for the roller guide in applications that require a two-way pay-out.



Figure 11-2

Roller Guides

All 3500 Series Cable Reels are equipped with an adjustable roller guide. The guide's function is to center the cable on the spool and to help the reel wrap cable more evenly. See **Figure 11-3**

Level winding is inhibited by the cable bearing against either of the spool flanges during operation. The Roller Guide helps to alleviate this condition.

The guide consists of the guide head. The guide must be adjusted and secured prior to terminating any electrical connections.

The guide should be secured at the position that causes the least change of cable direction to occur at the guide; otherwise, cable life will be reduced.

The guide head is mounted to the guide rails with the use of four clamp halves and two 3/8 - 16 carriage bolts. Mount the guide head on the guide rails in the desired position by placing one half clamp on each side of each rail and placing the guide head around the outside of the clamps. Insert the carriage bolts from the inside outward such that the carriage head is towards the center of the spool. This will prevent the cable from rubbing on any square edges. Install lock washers and nuts. The guide head may be tipped through 90° of travel to allow for minimum cable drag through the roller guide.

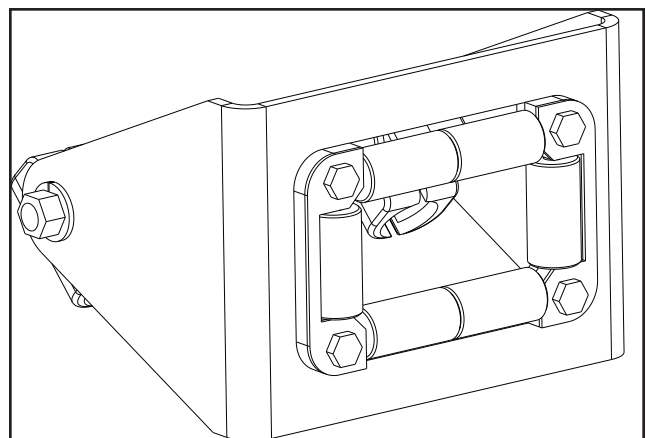


Figure 11-3

SECTION 3 - INSTALLATION

Ratchet (Optional)

The ratchet option allows the extended cable to be pulled out and held from retraction by spring tension; generally appropriate for operator attended applications. See **Figure 12-1**.

The ratchet for the 3500 Series Power Reels is spring loaded. It is designed to function in all acceptable mounting configurations.

The ratchet option can be installed at the time of purchase or later added to reels that have already been introduced to service.

Ratchet Option Installation

WARNING

- Power should be disconnected from the reel before beginning any service or maintenance functions. Follow lock-out/tag-out procedures appropriate to the installation.

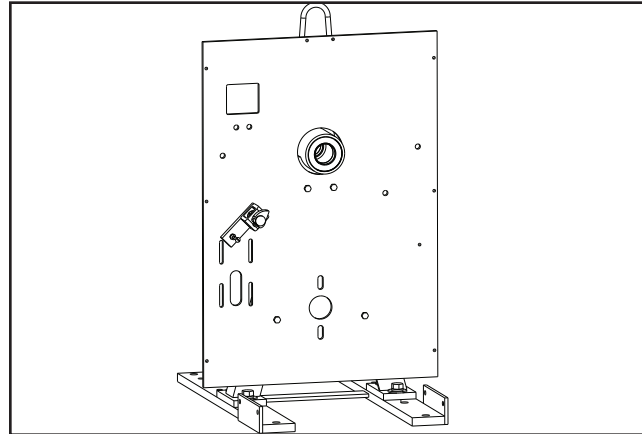


Figure 12-1

Ratchet Pawl Installation

The ratchet pawl assembly is attached to the reel frame as a unit. The holes provided for the attachment of The ratchet pawl assembly are located in the lower middle area of the frame.

1. Insert the one provided 3/8-16 bolt in the back plate.
2. Position the ratchet pawl assembly over the protruding bolt shaft and align other bolt.
3. Secure using the two provided sets of 3/8-16 hex nuts, flat washers, and lock washers.

Ratchet Plate Installation

The cable must be extended far enough to allow the removal of the two or four frame side flange bolts. See **Figure 12-2**.

1. Substitute the provided longer flange bolts and nuts for the removed bolts and nuts.
2. Position the ratchet plate over the bolts on the outside of the frame side flange. The ratchet teeth should be oriented as in the figure below (for standard rotation reels).
3. Secure the ratchet plate to the spool by tightening the nuts to approximately 7 ft-lbs.

Additional ratchet plates may be installed but will increase the likelihood of spool lock-up at full cable extension.

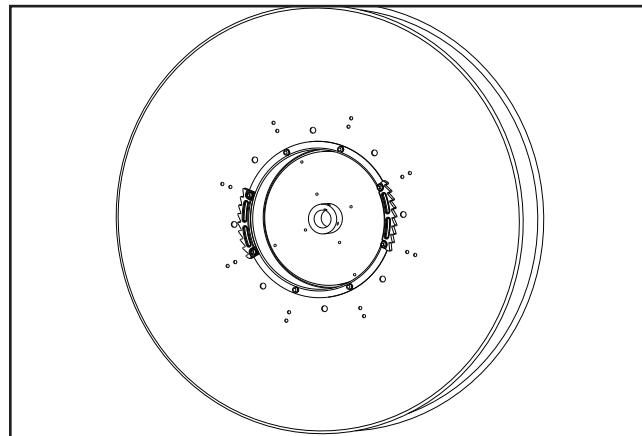


Figure 12-2

SECTION 3 - INSTALLATION

Spool Lock (Optional)

All 3500 Series Power Reels can be equipped with an optional Spool Lock. See **Figure 13-1**.

The Spool Lock allows the power spring tension to be locked out from the cable spool. Applications that often require cable replacement would benefit from the addition of the Spool Lock.

The lever action design of the Spool Lock maintains engagement under conditions of shock and vibration. This is good for applications which require the cable to remain extended and are subject to severe service conditions.

Electrical Connections

Electrical Warnings

Electrical connections are determined by the requirements of the application and the configuration of the reel.

All electrical work should be performed by a qualified electrician.

Factory installed cable is wired with ring one (the ring closest to the drive collar) designated as ground, with a green jumper cable terminated to ground.

A continuity check should be performed prior to energizing the reel to verify electrical connections.

Supply Cable Connections

Supply cable connections are made to the brush leads of the slip ring using crimp ring connectors.

Connections made at the slip ring require adequate clearance.

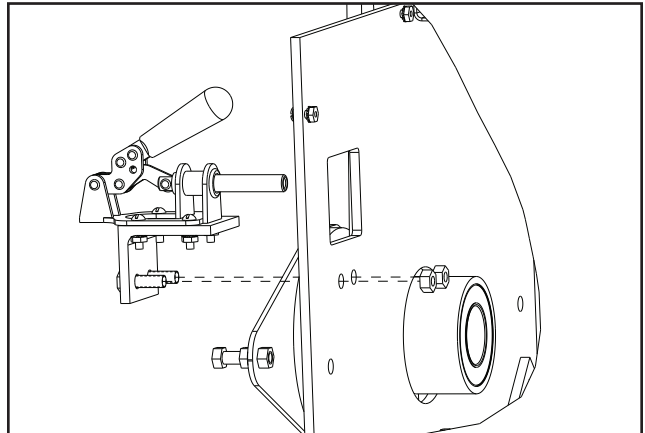


Figure 13-1 Part Number XA-44333

SECTION 3 - INSTALLATION

Spring Tension Adjustment

Spring Tension Warnings

More demanding applications may require spring tension adjustments for proper cable retraction.

WARNING

- Do not allow cable to retract without restraining the retraction speed. Walk the cable back to the reel. The retraction speed should not exceed 150 ft / min

Spring Cycling

The spring should be cycled after mounting but before terminating the free end to assure that the cable will retract properly and operate under the correct tension. See **Figure 14-1**.

This is accomplished by pulling the cable out the required distance and allowing it to rewind. This procedure should be performed five to ten times.

Spring Pre-Tensioning

The proper pre-tensioning required for effective operation varies by cable diameter and cable weight. Trial and error is the most effective means of setting the proper spring pre-tension. Pre-tensioning is achieved by pre-loading the spring with setup turns (reel revolutions).

Adjusting Spring Tension

Set-up turns can be installed on the 3500 Series Power Reels after installation of the reel and termination of the cable ends. Spring tension should be adjusted so that the cable reel retracts the cable through the entire travel length and at the desired travel speed. See **Figure 14-2**.

1. To add tension to the cable reel use a 15/16 wrench or socket and turn the shaft on the end of the spring motor(s). Rotate the shaft in the direction that causes the motor housing to rotate in the same direction as the spool would rotate to retract the cable.
2. Watch the counter, mounted on the tail end of each motor, to read the number of turns added to the spring. It will take 32 turns of the input shaft to install one turn on the spring.
3. On units equipped with two spring motors only apply one turn to each motor at a time. Most reels are sized to work with two set-up turns per spring in each motor however trial and error is the best means to determine the total number of set-up turns required in your application.
4. Use caution not to apply too many set-up turns. This will result in excessive tension on the cable. There should be no less than two turns left on each spring motor when reel is paid out all the way. Consult factory for the maximum number of set-up turns allowed on your reel model number.

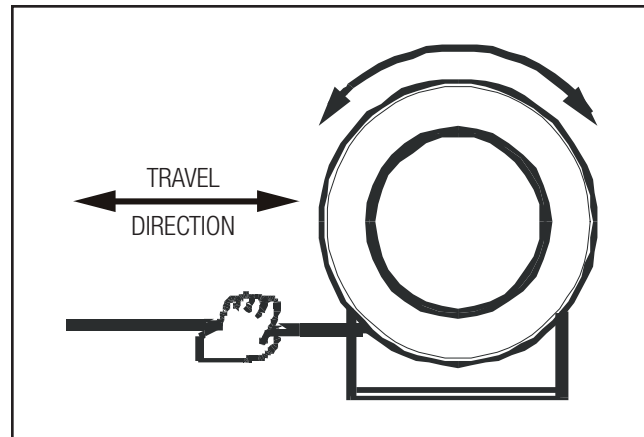


Figure 14-1

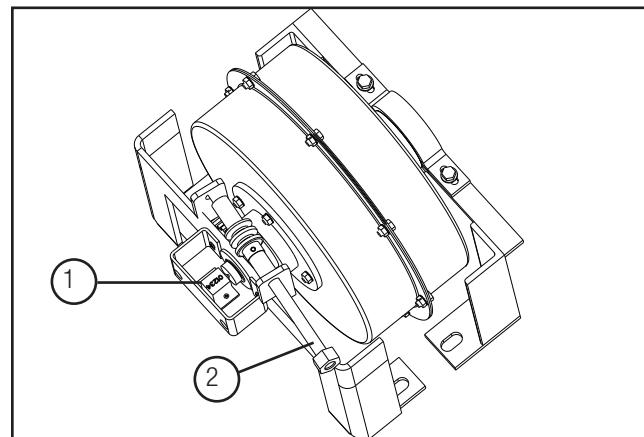


Figure 14-2

1. Counter
2. Adjusting Shaft

SECTION 4 - OPERATION

- Do not exceed the voltage or ampere rating of the cable. Do not exceed the voltage or ampere rating of the reel. Overheating, fire, damage to equipment or personal injury could result. Do not allow cable to retract without restraining the retraction speed.
- Operate the reel within the cable size and length and spring tensioning limits for which it was intended.
- Two wraps of cable should remain on the reel at maximum extension to avoid excessive tension on the cable entrance watertight and slip ring terminations.
- The spring should not be wound to the last two turns at maximum payout. This prevents over-stressing the spring(s), thus reducing spring life or damaging the reel.
- Keep the reel and cable clean to avoid excessive wear and damage.
- Arrange for maintenance service if damage is found on the cable or reel.
- To maximize spring life, cable should be fully retracted when not in use.

SECTION 5 - MAINTENANCE

Maintenance Warnings

- Be sure the power is off for maintenance.
- Follow lock-out/tag-out procedures as outlined in OSHA section 1910.147

Lubrication

- All springs and bearings are lubricated for life at the factory. Additional lubrication should not be required.
- Do not apply any lubricants or solvent cleaning agents to the slip ring, brush or insulator surfaces.
- Inspect the ring surface for dirt, oxidation, or other contaminants. A properly operating ring will have a film that appears burnished in color with a darker surrounding color where the brushes track. If the ring requires cleaning, order Slip Ring Polishing Kit #41286.

Inspections

1. Periodically check the reel for any loose or missing fasteners. Tighten or replace as necessary.
2. The slip ring assembly should be checked periodically as follows:
3. Clean and remove any accumulated dust or dirt from the slip ring housing area.
4. Check all brush and ring surfaces in the slip ring assembly and remove any accumulated dust.
5. Brushes should be centered on the slip rings and brush springs should be seated in the slot on top of the brush. Terminal screw connections should be tight.
6. Replace Brushes when the brush spring is within 0.09" of the ring insulator.

Spring Motor Replacement

1. Carefully adjust reel to the fully retracted position.
2. Take note of the counter reading on the faulty spring motor. Remove all set-up turns from faulty spring motor by turning input shaft on the tail end of the motor in the direction that rotates the motor housing in the direction that the spool would rotate to pay the cable out. This will cause the counter to reduce in numbers. Adjust until all spring tension is removed from the motor.
3. Remove the four 1/2-13 bolts from the motor mounting legs and slide motor straight back away from frame. This will disengage the spring motor shaft from the sprocket stub shaft.
4. Set new motor on frame and slide forward. Align the tang in the motor shaft to the slot in the sprocket shaft and slide motor into place. Bolt motor down with the four 1/2-13 bolts removed from the old motor.
5. If it is known that the tension was never changed from the initial installation, reset the set-up turns to the same number as read from the old motor. If tension was changed during the life of the reel follow procedure 2.8 to adjust reel from scratch.

SECTION 5 - MAINTENANCE

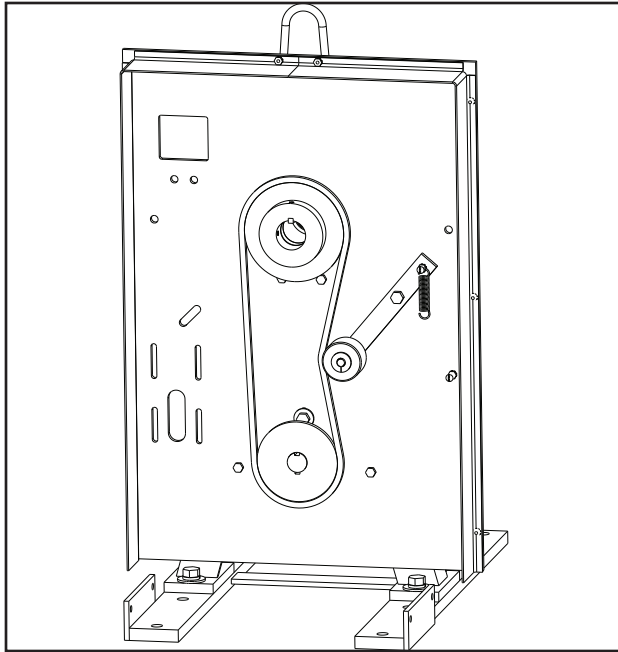


Figure 17-1 Single Motor Chain Configuration

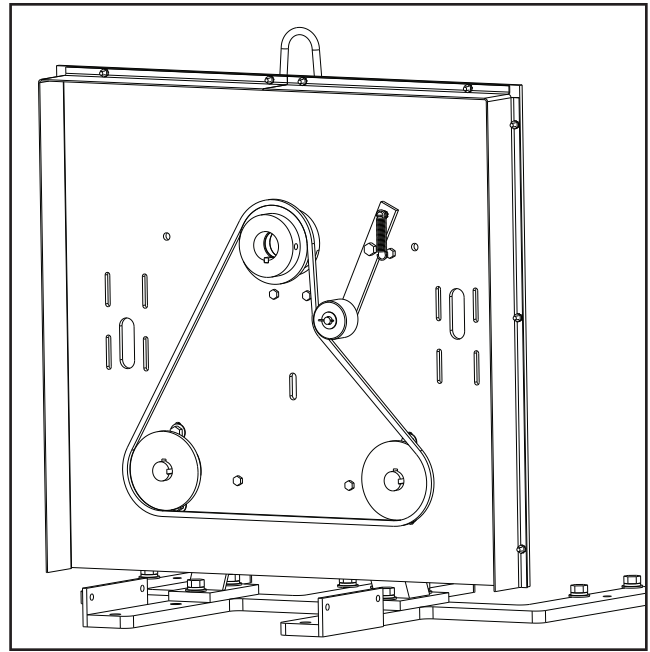


Figure 17-2 Dual Motor Mount

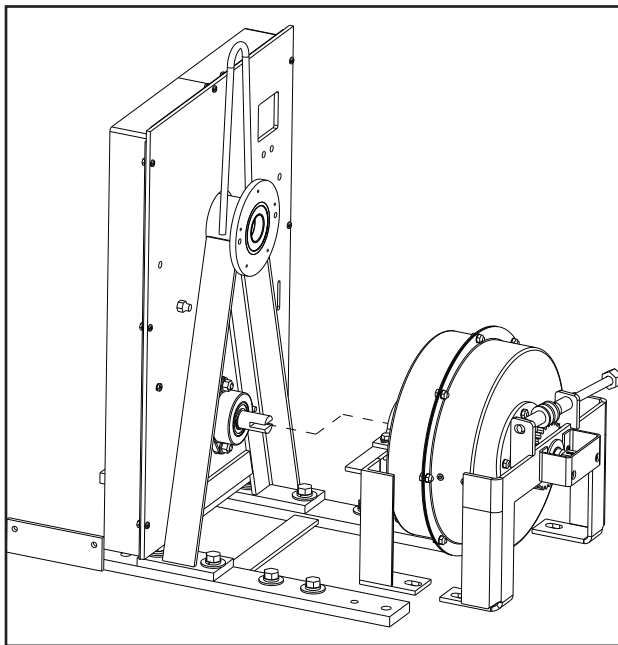


Figure 17-3 Single Motor Mount

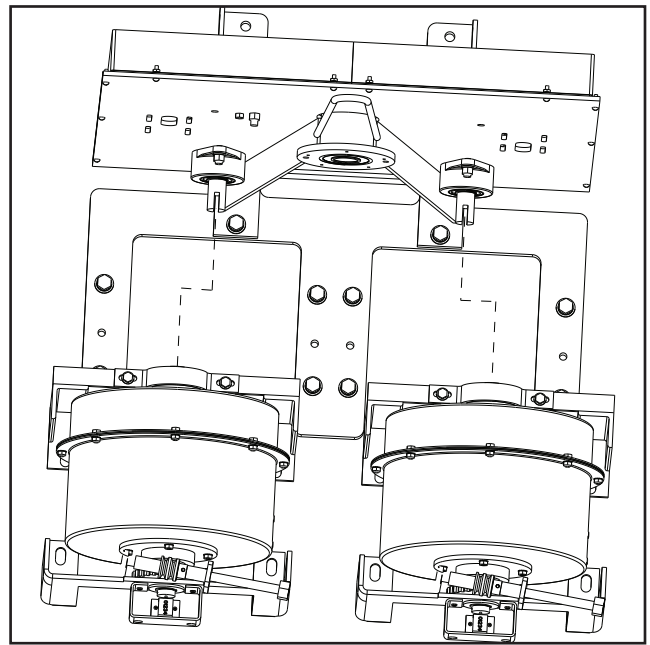


Figure 17-4 Dual Motor Mount

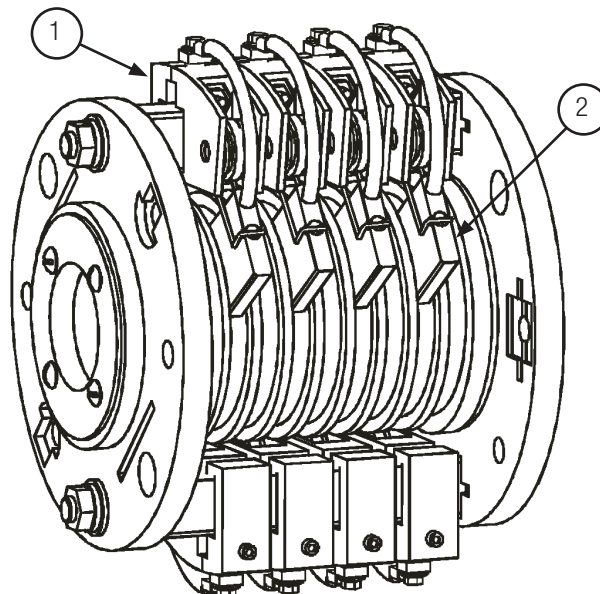
SECTION 6 - REPLACEMENT PARTS

R-Series Slip Rings for 3500 Series Power Reels

To identify the slip ring in the 3500 Series Power Reels for replacement parts, it is necessary to precede the amperage profile section with the product code "RA-". This code specifies that the Slip Ring is a member of the R-Series Slip Ring family and designates the bore size as 1-1/2 inches.

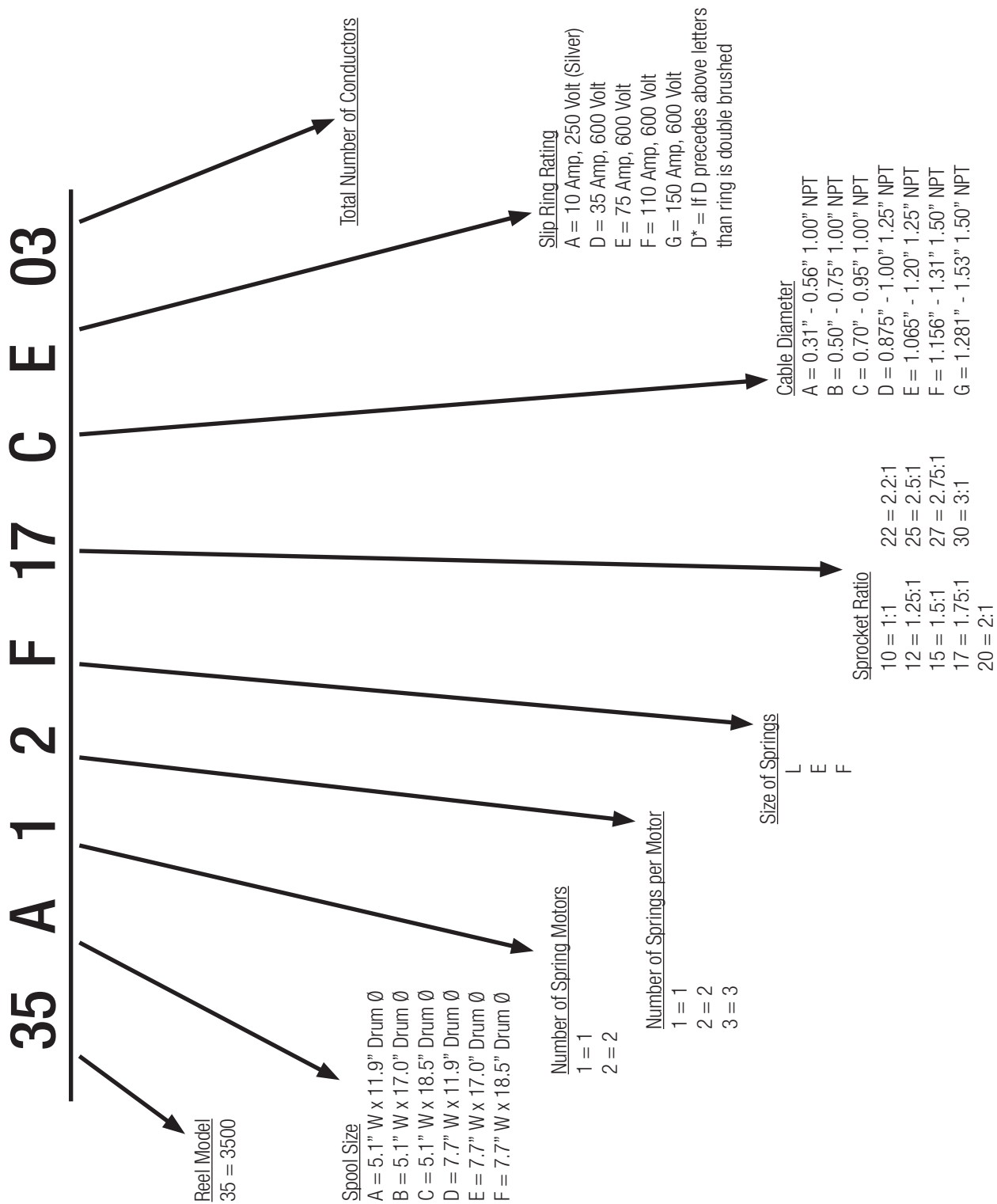
‡ Multiple Amperage Sections are possible.
Q Consult factory for Custom Application Part Numbers.
SS Available for Special Applications

	Double Brushed		Number of Conductors		
	D		A	03	
		Amperage ‡			
2	Brushes			Brush Holders	1
				Single	Double
	30068A	D = 35 AMP / 600 V		02801-P	02808-P
	30069A	E = 75 AMP / 600 V		02802-P	02809-P
	02840	F = 110 AMP / 600 V		02803	02810
	02841	G = 150 AMP / 600 V		02804	02811
	02842	H = 225 AMP / 600 V		02805	02805
	02843	J = 300 AMP / 600 V		02806	02806
					SS



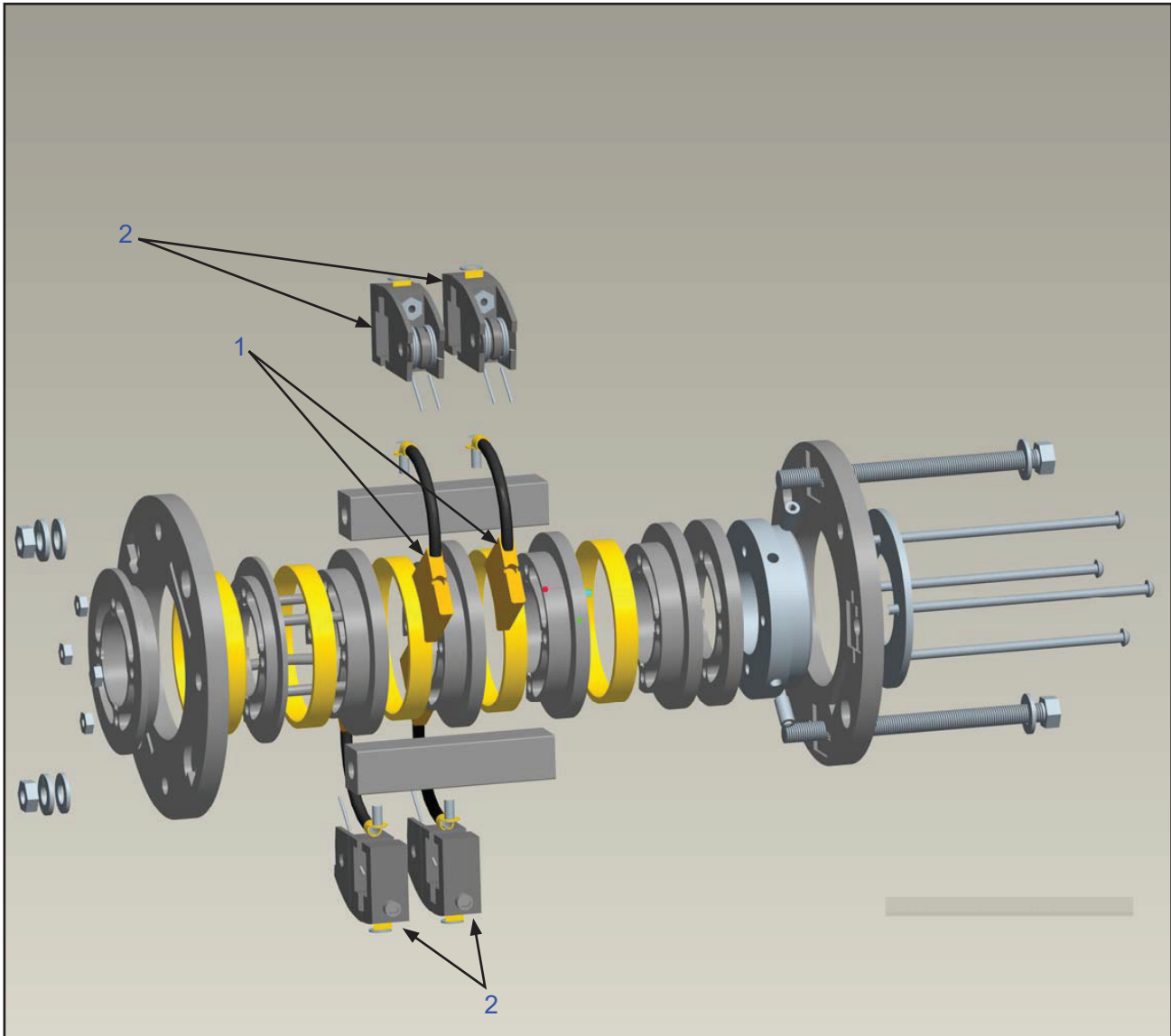
SECTION 6 - REPLACEMENT PARTS

Spring Reel Descriptive Numbering System for 3500 Series Power Reels



SECTION 6 - REPLACEMENT PARTS

Exploded View Parts Identification for 3500 Series Power Reels



SECTION 6 - REPLACEMENT PARTS

Part Numbers by Component for 3500 Series Power Reels

ELECTRICAL COMPONENTS

Example: 35A12F17CE03

	②	①	②	①	
	Ring	Single Brush Holder	Single Brush	Double Brush Holder	Double Brush
D03	RA-D03-PR	02801-P	30068A	02808-P	30068A x2
D04	RA-D04-PR	02801-P	30068A	02808-P	30068A x2
D05	RA-D05-PR	02801-P	30068A	02808-P	30068A x2
D06	RA-D06-PR	02801-P	30068A	02808-P	30068A x2
D07	RA-D07-PR	02801-P	30068A	02808-P	30068A x2
D08	RA-D08-PR	02801-P	30068A	02808-P	30068A x2
D09	RA-D09-PR	02801-P	30068A	02808-P	30068A x2
D10	RA-D10-PR	02801-P	30068A	02808-P	30068A x2
D12	RA-D12-PR	02801-P	30068A	02808-P	30068A x2
D14	RA-D14-PR	02801-P	30068A	02808-P	30068A x2
D16	RA-D16-PR	02801-P	30068A	02808-P	30068A x2
D20	RA-D20-PR	02801-P	30068A	02808-P	30068A x2
D24	RA-D24-PR	02801-P	30068A	02808-P	30068A x2
D30	RA-D30-PR	02801-P	30068A	02808-P	30068A x2
D36	RA-D36-PR	02801-P	30068A	02808-P	30068A x2
E02	RA-E02-PR	02802-P	30069A	02809-P	30069A x2
E03	RA-E03-PR	02802-P	30069A	02809-P	30069A x2
E04	RA-E04-PR	02802-P	30069A	02809-P	30069A x2
E06	RA-E06-PR	02802-P	30069A	02809-P	30069A x2
F02	RA-F02	02803	02840	02810	02840 x2
F03	RA-F03	02803	02840	02810	02840 x2
F04	RA-F04	02803	02840	02810	02840 x2
G02	RA-G02	02804	02841	02811	02841 x2
G03	RA-G03	02804	02841	02811	02841 x2
G04	RA-G04	02804	02841	02811	02841 x2

OPTIONS

Ratchet	43418
Reelsafe Single Motor	43420
Reelsafe Dual Motor	43419
Pivot Base (330°)	P3-3200X
Spool Lock	44333

SECTION 7 - TROUBLESHOOTING

PROBLEM	POSSIBLE CAUSE	SOLUTION
Reel will not retract cable but has some tension.	<ol style="list-style-type: none"> 1) Improper pretension 2) Incorrect reel for application (lift vs. stretch). 3) Improper cable or cable length installed. 	<ol style="list-style-type: none"> 1) See Tension Adjustment section. 2) Quantify application vs. reel selection. 3) Consult Factory.
Reel does not have spring tension.	<ol style="list-style-type: none"> 1) Broken spring. *Quantify application to prevent reoccurrence. 	<ol style="list-style-type: none"> 1) Replace spring motor.
Ratchet will not engage.	<ol style="list-style-type: none"> 1) Broken ratchet pawl spring. 	<ol style="list-style-type: none"> 1) Replace ratchet pawl spring.
Ratchet will not disengage.	<ol style="list-style-type: none"> 1) Over-extension of reel. 	<ol style="list-style-type: none"> 1) Manually rotate reel spool to disengage ratchet. To prevent lockup, two wraps of cable should remain on spool at all times.
Cable wraps improperly (uneven wrapping, wraps above or jumps flange).	<ol style="list-style-type: none"> 1) Reel mounting not level. 2) Cable retraction rate too high. 3) Cable guide out of adjustment. 	<ol style="list-style-type: none"> 1) Mount reel on level surface. 2) Maintain steady retraction rate. 3) Properly adjust cable guide.
Cable twisting or knotting.	<ol style="list-style-type: none"> 1) Improperly installed cable. 2) Cable rubbing on or bending around fixed object. 3) Excessive spring tension. 4) Inadequate anchoring of cable. 	<ol style="list-style-type: none"> 1) See Cable Install section on IOM. 2) Check roller guide for function and cable pay out path. 3) Quantify application vs. reel selection. Also check pretension. 4) Adjust anchoring method. ie. add strain relief.
Open or intermittent circuit.	<ol style="list-style-type: none"> 1) Inadequate connection. 2) Brush loses contact with slip ring. 3) Cable defective. 	<ol style="list-style-type: none"> 1) Check all termination points. 2) Check brush wear, spring tension & alignment. 3) Perform continuity check on cable.
Circuit trips and/or pitted, burned rings or brushes.	<ol style="list-style-type: none"> 1) Inadequate amp rating of reel. 	<ol style="list-style-type: none"> 1) Quantify application requirements vs. reel & cable rating.
Circuit arcing	<ol style="list-style-type: none"> 1) Amp or voltage above rating of reel. 2) Excessive carbon dust accumulation. 3) Water or moisture in slip ring. 	<ol style="list-style-type: none"> 1) Quantify application requirements vs. reel & cable rating. 2) Clean dust from inside slip ring. 3) Replace brush spring.

CONDUCTIX-WAMPFLER FIELD SERVICE

Need Field Service for our products? We Can Handle It!

Ask us for a quote on expert system installations, inspections, preventative maintenance, and repairs/retrofits.

As the world's largest single source manufacturer of mobile electrification products, Conductix-Wampfler has the unique ability to offer a degree of service not found anywhere else. Conductix-Wampfler's team of highly qualified service technicians and engineers have years of experience servicing our complete line of products.

We can provide:

- **Annual service contracts**
- **Installation**
- **Commissioning**
- **Installation supervision** to ensure your installers avoid common mistakes.
- **Troubleshooting** to get you up and running.
- **Pre-planned inspections** to complement your preventive maintenance program.

Call 1.800.521.4888 for further details.



