

# Optical Positioning Systems

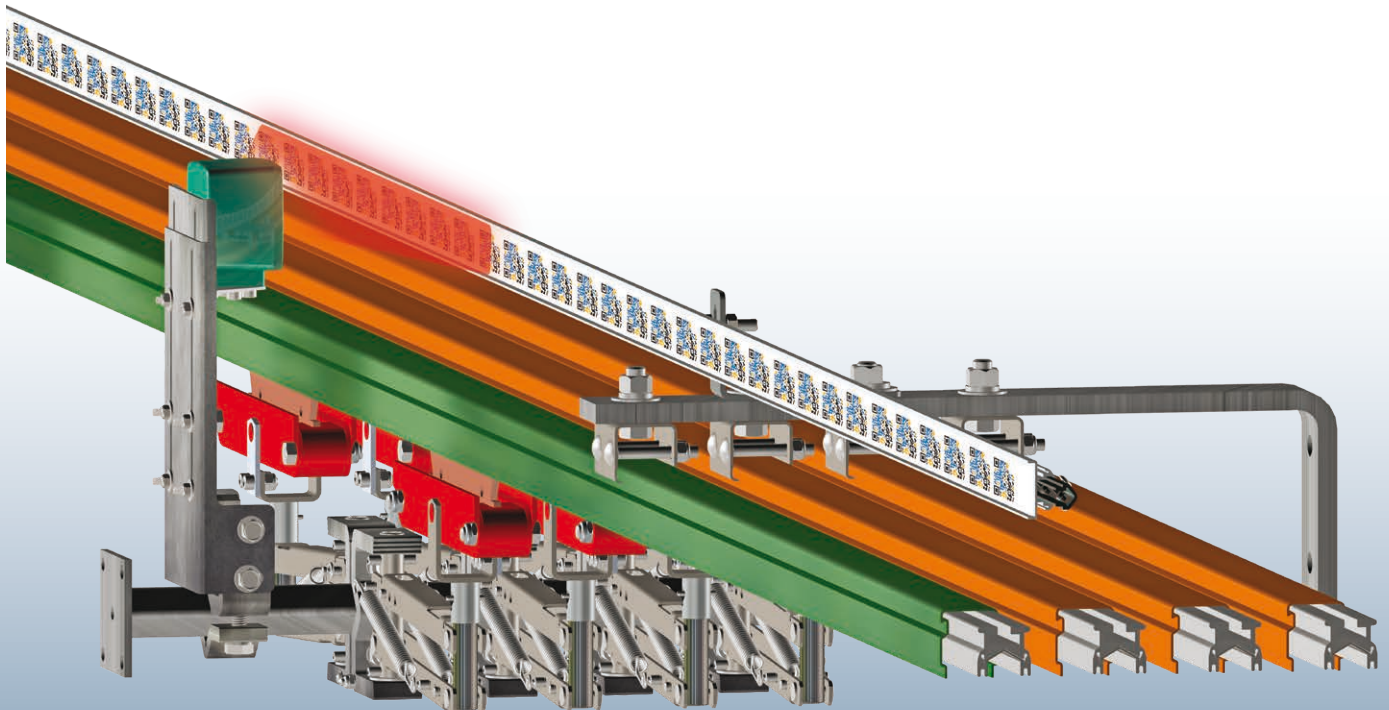


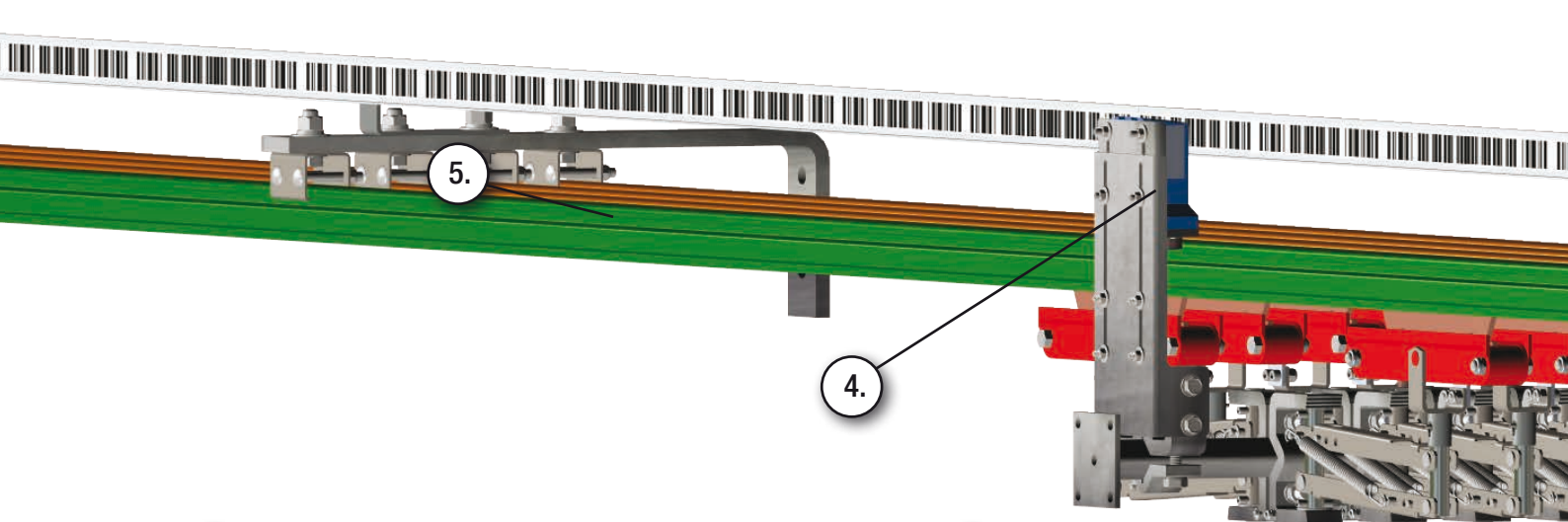
# Optical Positioning Systems

Material handling systems, automated overhead cranes, and other automated machinery often need an accurate way to determine the exact position of the moving machines or elements. You can use this information to assure correct vehicle spacing, provide material storage locations, or to give position feedback.

The Conductix-Wampfler Optical Positioning Systems (OPS) offer a complete solution to supply the needed position information along a fixed rail. You can integrate our OPS into new installations or easily retrofit it onto existing applications.

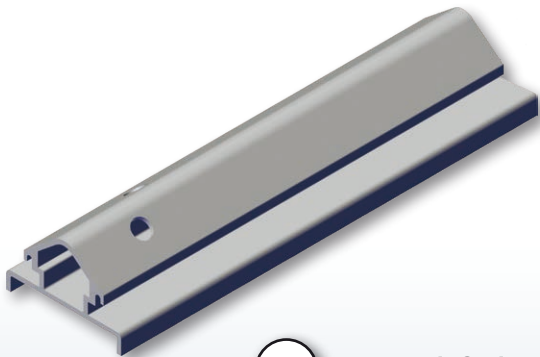
**Contact the Conductix-Wampfler Sales Team to discuss your application. We would be happy to quote a system to meet your requirements.**





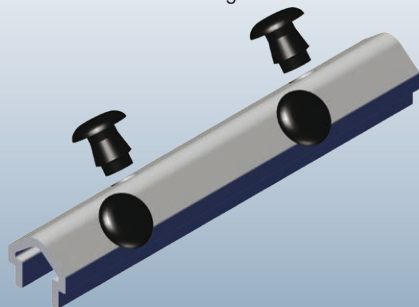
### 1. Tape Rail

- **Length:** 10 ft or 3 meters
- **Material:** Extruded Aluminum
- **Min. Bend Radius:** 48 in. (914.4 mm)



### 2. Tape Rail Splice

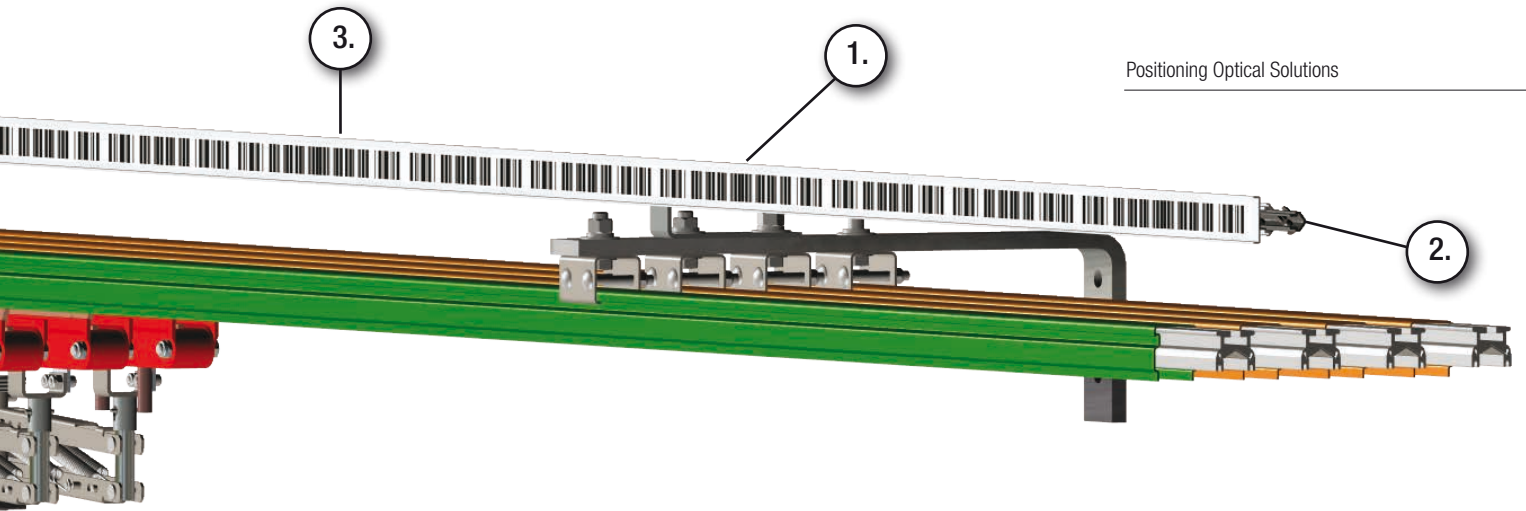
- Tool-free Installation
- Push-Pin Design



### 3. Bar Code Tape

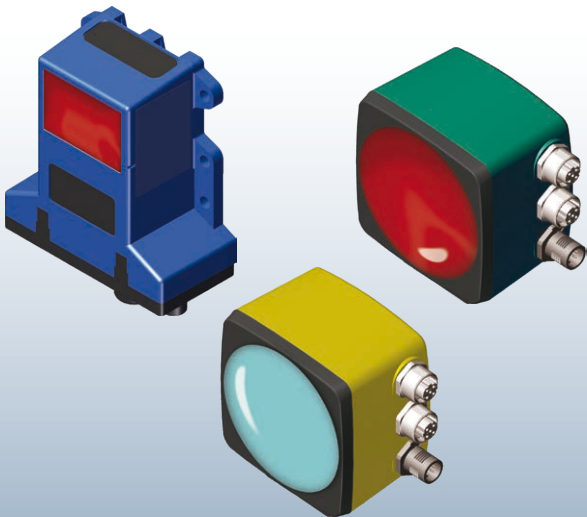
- **Section Length:** 65.62 ft (20 m)
- **Max. Length:** 32,808 ft (10,000 m)
- **Width:** 0.98 in. (25 mm)  
1.18 in. (30 mm)





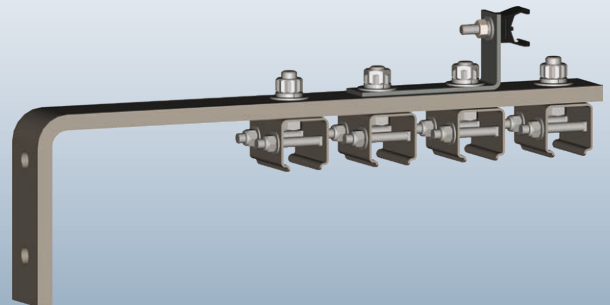
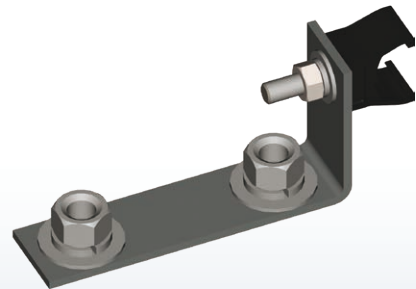
#### 4. Optical Sensors

- Compatible with PROFINET, EtherNet/IP, and PROFIsafe



#### 5. Mounting Options

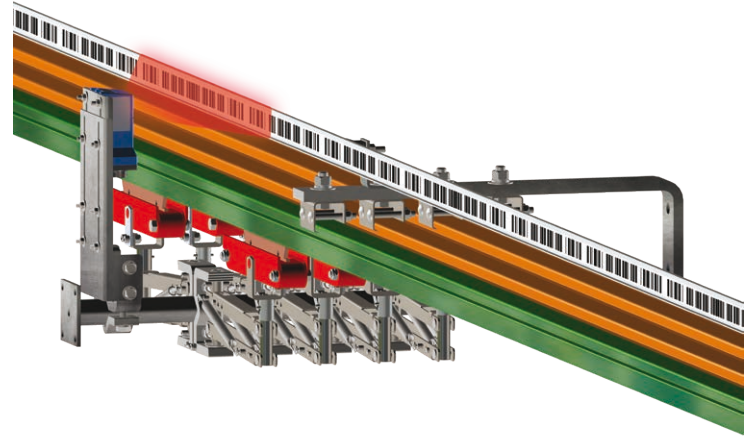
**Horizontal Mount:** 90 Degree Extension Bracket with Single Pole Hanger.



# Features and Benefits

The Optical Positioning Systems:

- Provides a complete system solution for conductor bar mounting
- Installs easily in either new or existing bar systems – no special tools required
- Meets PROFINET, EtherNet/IP, and PROFSafe protocols



# Technical Specifications and Dimensions

Technical Specifications			
Type:	Barcode	QR Code	Safety QR Code
Resolution	0.039 in. (1.00 mm)	0.0078 (0.2 mm)	0.0078 (0.2 mm) non-safe 4.88 (124 mm) safe*
Light Source	Red LED	Red LED	Blue & Red LED
Maximum System Length	10,000 m	10,000 m	100,000 m
Maximum Speed	10 m/s	8 m/s	8 m/s
Reading Distance	100 mm ± 20 mm	100 mm ± 50 mm	100 mm ± 30 mm
Code Width	30 mm	25 mm	25 mm
Rail Material	Aluminum	Aluminum	Aluminum

\* As mounted - can be reduced with alternate mounting

# www.conductix.us

## Conductix-Wampfler

has just one critical mission:

To provide you with energy and data transmission systems that will keep your operations up and running 24/7/365.

To contact your nearest sales office, please refer to:

[www.conductix.us](http://www.conductix.us)

