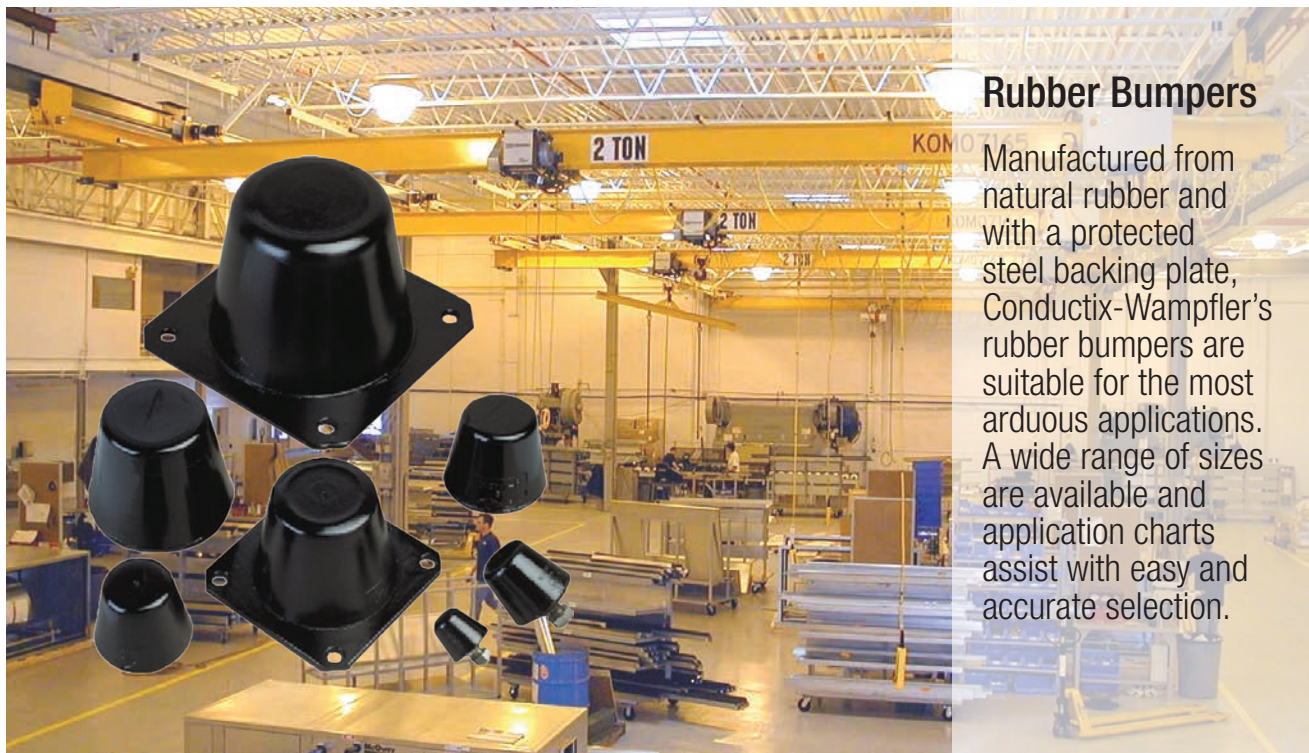


Product Bulletin

PBL7003.2 | 3/27/2013

Impact Control Bumpers

- Designed and manufactured for industrial conditions, Conductix-Wampfler supplies rubber bumpers in a wide range of sizes.
- Typical applications include cranes, conveyors, electric vehicles material handling equipment and other moving machinery.
- Available in either flat plate or single stud mounting arrangements.



Rubber Bumpers

Manufactured from natural rubber and with a protected steel backing plate, Conductix-Wampfler's rubber bumpers are suitable for the most arduous applications. A wide range of sizes are available and application charts assist with easy and accurate selection.



Conductix-Wampfler is your single source for
Mobile Electrification Solutions!
Conductor Bar - Pendants - Radios - Festoon



Conductix-Wampfler | 10102 F Street | Omaha, Nebraska 68127 - U.S.A.

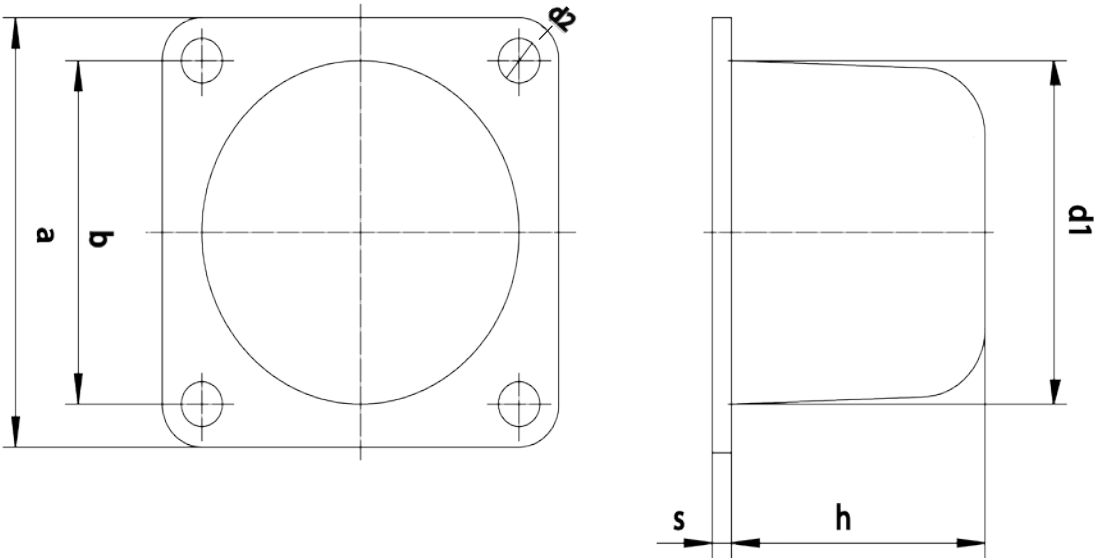
Tel: (402) 339 9300 | Fax: (402) 339 9627 | info.usa@conductix.com | www.conductix.us



Dimensions show inches (mm)

Plate Type

| Part Number | d1 | d2 | a | b | h | s |
|-------------|------------|-----------|------------|------------|------------|----------|
| 017111-080N | 3.14 (80) | 0.43 (11) | 3.94 (100) | 3.14 (80) | 2.5 (63) | 0.23 (6) |
| 017111-100N | 3.94 (100) | 0.51 (13) | 4.92 (125) | 3.94 (100) | 3.14 (80) | 0.23 (6) |
| 017111-125N | 4.92 (125) | 0.70 (17) | 6.3 (160) | 4.92 (125) | 3.94 (100) | 0.23 (6) |
| 017111-160N | 6.3 (160) | 0.70 (17) | 7.88 (200) | 6.3 (160) | 4.92 (125) | 0.31 (8) |
| 017111-200N | 7.88 (200) | 0.83 (21) | 9.84 (250) | 7.88 (200) | 6.3 (160) | 0.31 (8) |



Stud Type

| Part Number | d1 | d2 | h | l | s |
|---------------------|------------|-----|------------|-----------|----------|
| XA-017220-025x020-1 | 0.98 (25) | M6 | 0.79 (20) | 0.98 (25) | 0.03 (1) |
| XA-017220-040x032-1 | 1.57 (40) | M8 | 1.25 (32) | 1.1 (28) | 0.11 (3) |
| XA-017220-050x040-1 | 1.96 (50) | M10 | 1.57 (40) | 1.25 (32) | 0.11 (3) |
| XA-017220-063x050-1 | 2.48 (63) | M10 | 1.97 (50) | 1.22 (31) | 0.16 (4) |
| 017120-80N-1 | 3.14 (80) | M12 | 2.5 (63) | 1.46 (37) | 0.11 (3) |
| XA-017120-100N-1 | 3.94 (100) | M12 | 3.14 (80) | 1.41 (36) | 0.16 (4) |
| XA-017120-125N-1 | 4.92 (125) | M16 | 3.94 (100) | 1.81 (46) | 0.16 (4) |

* (-1) after part number indicates washer and nut included with Rubber Bumper

